

WHEN DISASSEMBLING ALUMINUM EXTRUSION, TIGHTEN ALL SETSCREWS AND LOCKS TO PREVENT LOSS DURING SHIPPING

visionary™ IDESIGNS

Using Your Setup Instructions

The Visionary Designs Setup Instructions are created specifically for your configuration. They are laid out sequentially, including an exploded view of the entire display, and then a logical series of detailed steps to assemble the main structure and components. We encourage you to study the instructions **before** attempting to assemble your exhibit.

Each page reminds you to tighten the setscrews after disassembling your exhibit to prevent loss of the locks and setscrews (see below in RED). This is VERY IMPORTANT.

Cleaning and Packing Your Display

- 1) Use care when cleaning aluminum extrusion or acrylic inserts. Use only non-abrasive cleaners.
- 2) When cleaning laminate inserts or countertops, use mild cleansers and a soft material such as cotton.
- 3) Keep all display components away from extreme heat and long exposure to sunlight to avoid warping and fading.
- 4) Retain all packing material. It will make re-packing much easier and will reduce the likelihood of shipping damage.



The Tool

Most Visionary Designs exhibits can be assembled with the supplied Hex Key Tool. Occasionally, a flat head screwdriver may be required.



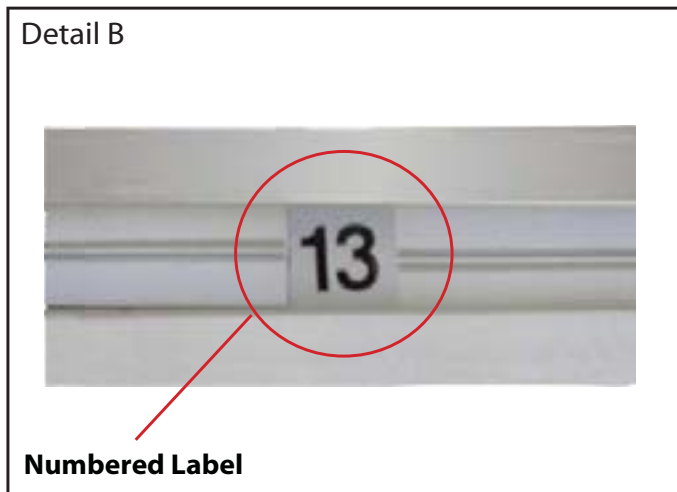
Detail A

Typical Connection



Typical Connection (cont'd)

Most horizontal extrusion connections have a patented expandable lock. This lock inserts into the groove of an opposing extrusion. Tightening the lock with the Hex Key Tool expands the lock and creates a strong positive connection.



Detail B

Numbered Label

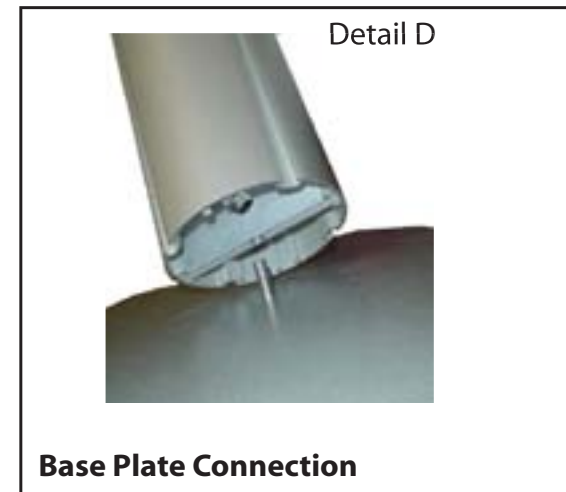
Each extrusion contains a numbered label which corresponds with setup instructions. The label is located within a groove of the extrusion (when possible). With Visionary Designs the labels contain Black numbers unless otherwise specified.



Detail C

Horizontal Inline Connection (remove only one setscrew)

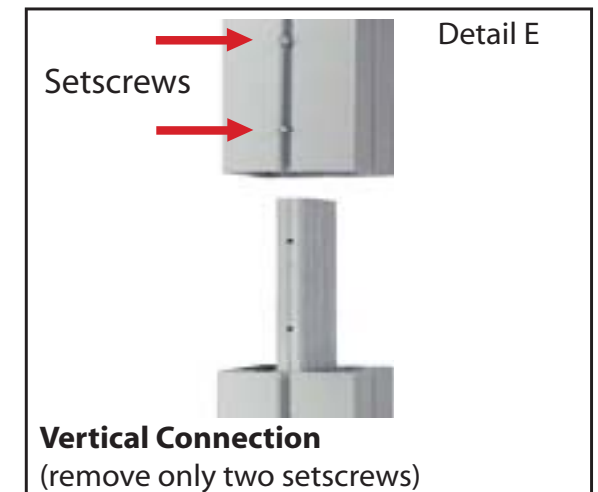
Remove only (1) setscrew when disassembling. Replace setscrew in extrusion after assembling it. Before packing, replace setscrew in extrusion to avoid losing it.



Detail D

Base Plate Connection

Attach base plate to round or square vertical extrusion using the bolt provided. Be careful not to strip the threads.



Detail E

Vertical Connection (remove only two setscrews)

When vertical extrusions are packed in portable cases rather than crates or tubs, they must be broken down into smaller sections which then require assembly.

Remove only (2) setscrews when disassembling. Replace setscrews in extrusion after assembling it. Before packing, replace setscrews in extrusion to avoid losing them.

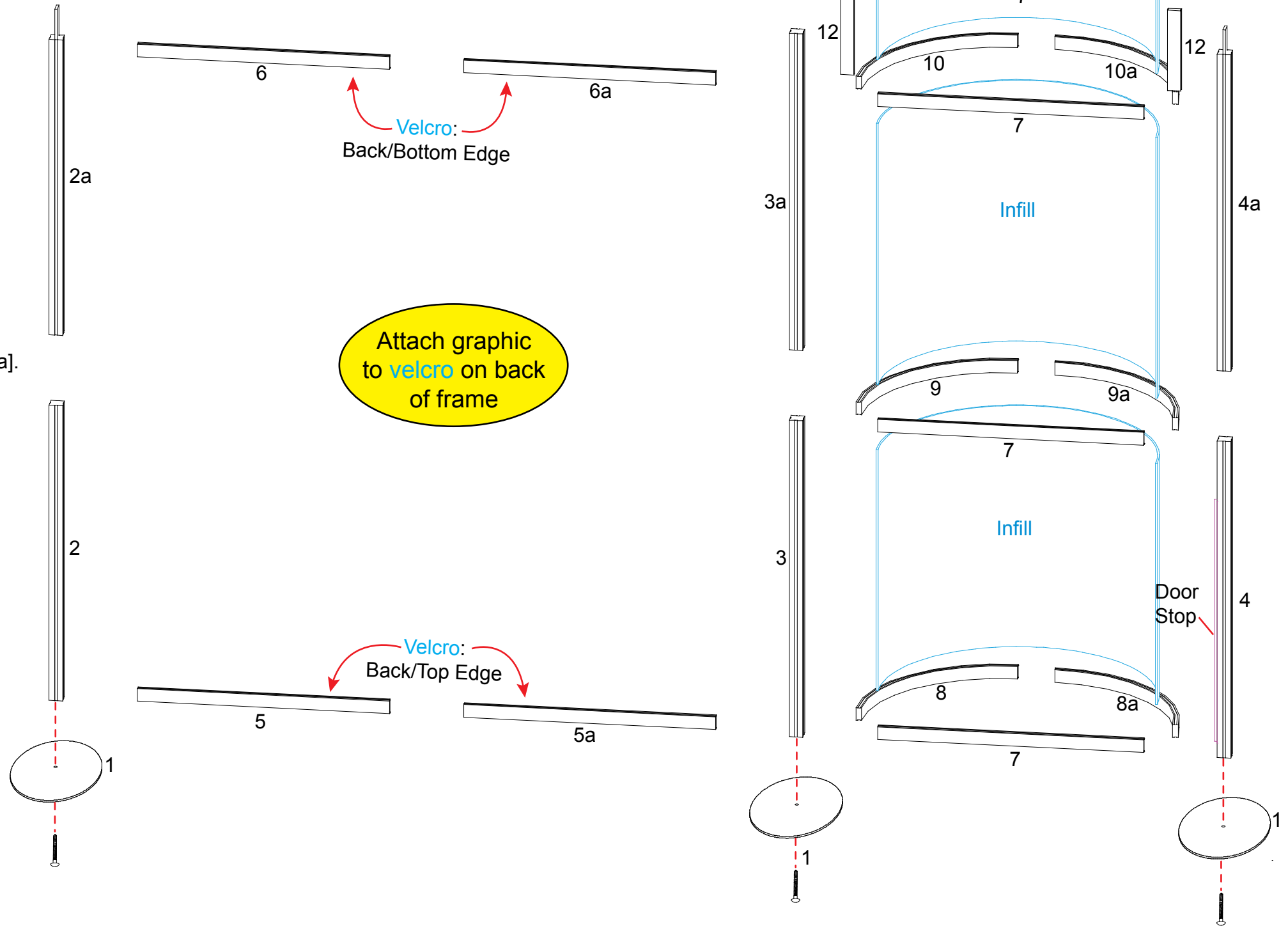
WHEN DISASSEMBLING ALUMINUM EXTRUSION, TIGHTEN ALL SETSCREWS AND LOCKS TO PREVENT LOSS DURING SHIPPING

866.652.2100

Item #	Qty	Description
1	3	Base Plates
2/2a	1/1	42" Vertical Extrusion
3/3a	1/1	42" Vertical Extrusion
4/4a	1/1	42" Vertical Extrusion
5/5a	1/1	33.89" Horizontal Extrusion
6/6a	1/1	33.89" Horizontal Extrusion
7	4	35.77" Horizontal Extrusion
8/8a	1/1	18.79" Curved Horizontal Extrusion
9/9a	1/1	18.79" Curved Horizontal Extrusion
10/10a	1/1	18.79" Curved Horizontal Extrusion
11/11a	1/1	18.79" Curved Horizontal Extrusion
12	2	11.42" Vertical Extrusion
13	2	33.32" Vertical Extrusion

Steps

- 1) Attach Verticals [2, 3 & 4] to Base Plates [1].
- 2) Attach upper verticals [2a,3a,4a] to lower verticals [2,3,4].
- 3) Attach horizontals [5/5a] and [6/6a] together.
- 4) Attach horizontal assemblies [5/5a,6/6a] between verticals [2/2a,3/3a].
- 5) Attach curved horizontals [8,8a], [9,9a], [10,10a] & [11,11a] together.
- 6) Attach curved horizontal assemblies between verticals [3/3a,4/4a] inserting infills as shown.
- 7) Attach Horizontal extrusions [7] between Verticals [3/3a,4/4a]
- 8) Attach Vertical extrusions [12] between curved horizontals [10,11].
- 9) Attach graphic to velcro on back of frame.

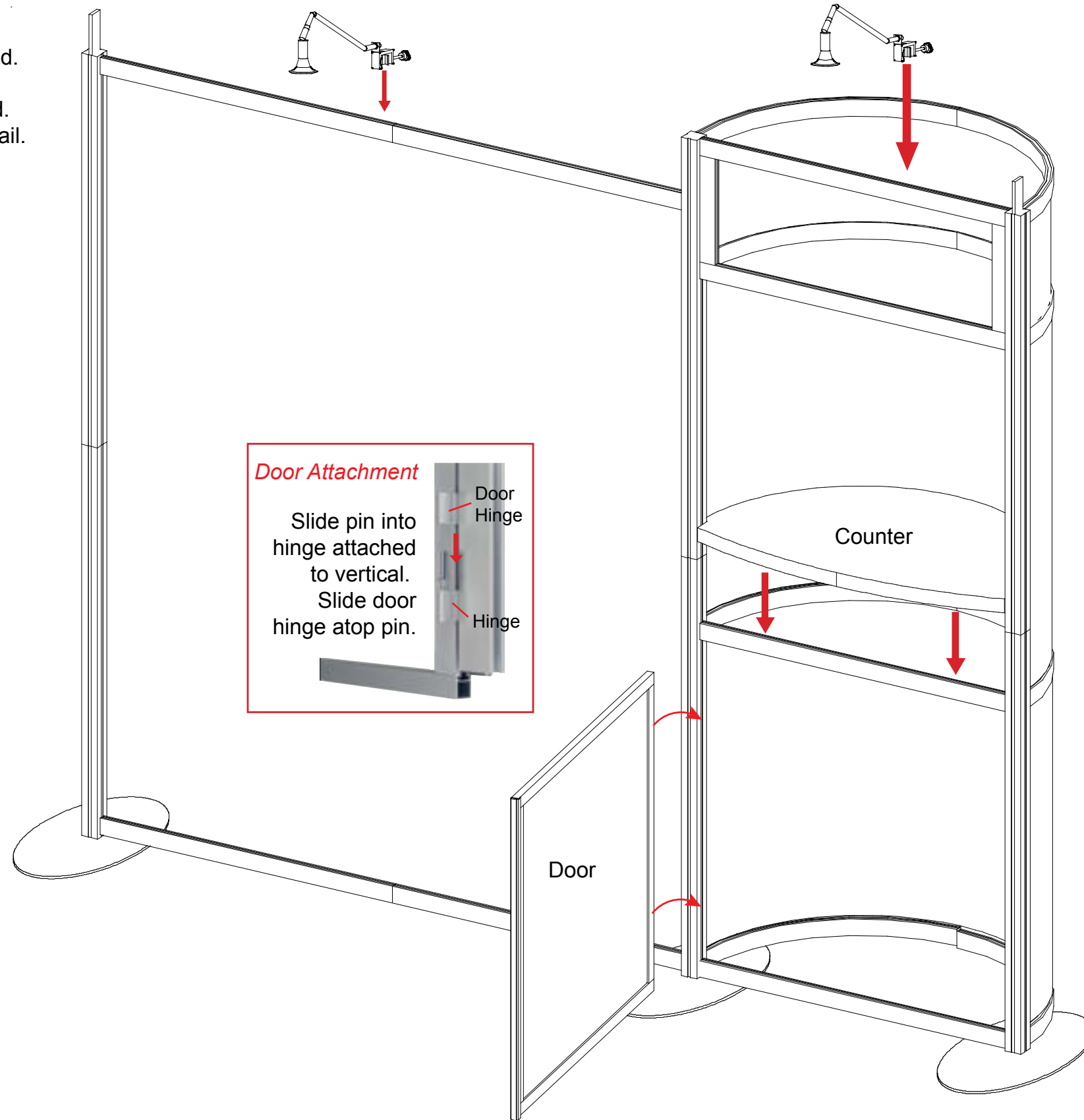


WHEN DISASSEMBLING ALUMINUM EXTRUSION, TIGHTEN ALL SETSCREWS AND LOCKS TO PREVENT LOSS DURING SHIPPING

866.652.2100

Steps

- 1) Attach lights to backwall where desired.
- 2) Set countertop in place and secure to backwall using thumbscrews provided.
- 3) Hand door on hinges as shown in detail.



Door Attachment

Slide pin into hinge attached to vertical.
Slide door hinge atop pin.



Counter Attachment

Thumbscrew
Washer



After setting counter on horizontal support, put washer on thumbscrew, and attach thumbscrew through counter to vertical extrusion as shown.

WHEN DISASSEMBLING ALUMINUM EXTRUSION, TIGHTEN ALL SETSCREWS AND LOCKS TO PREVENT LOSS DURING SHIPPING



866.652.2100

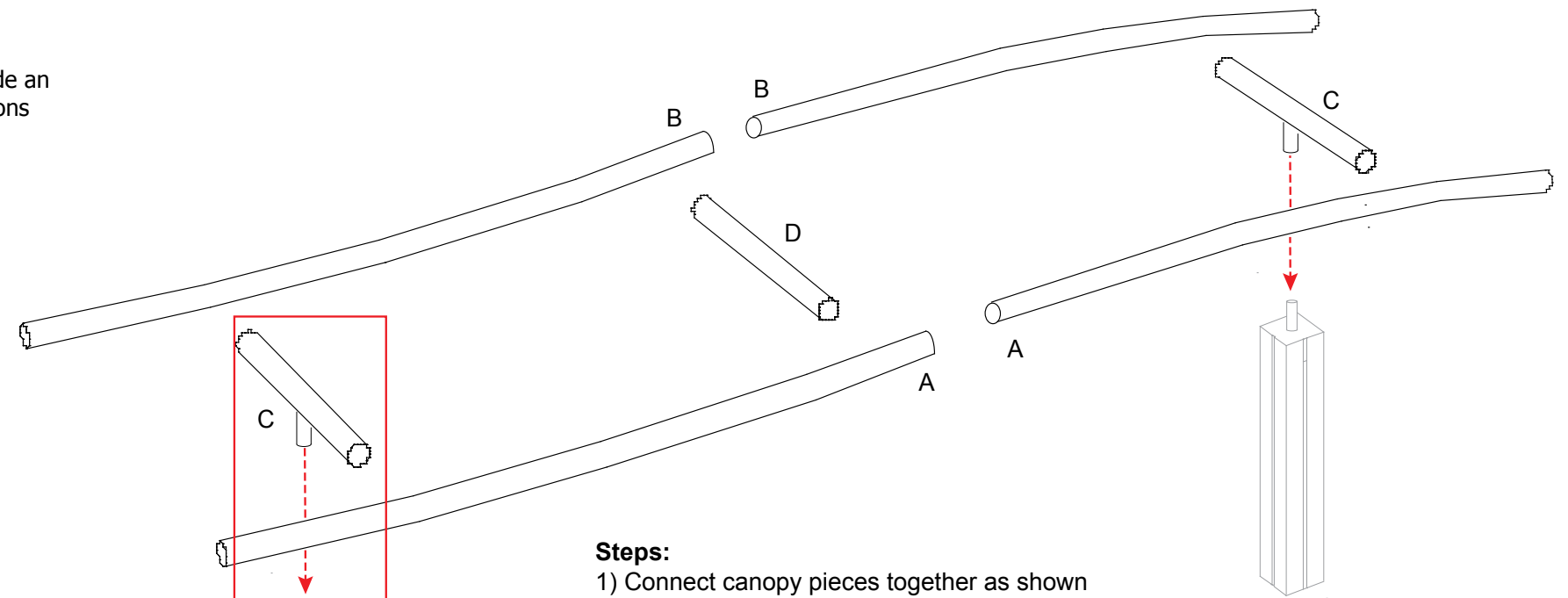
Using Your Setup Instructions

The Aero Overhead Sign Setup Instructions are created specifically for your configuration. They include an exploded view of the frame which is sequentially numbered. We encourage you to study the instructions before attempting to assemble your exhibit.

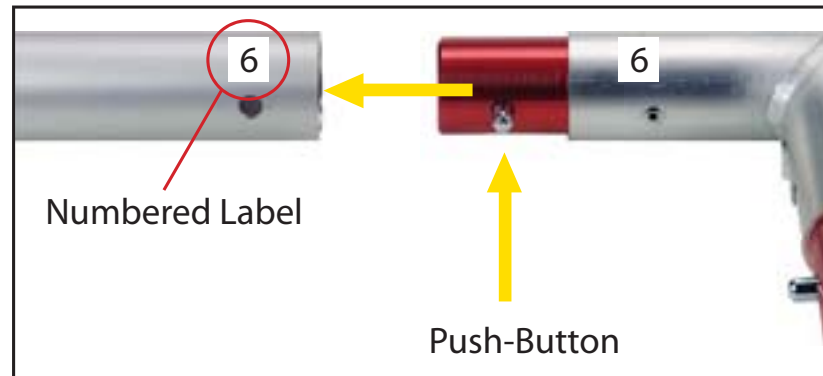
Connections are kept very simple: no tools. Everything assembles with push-button connectors and pre-connected horizontal sections.

Cleaning and Packing Your Display

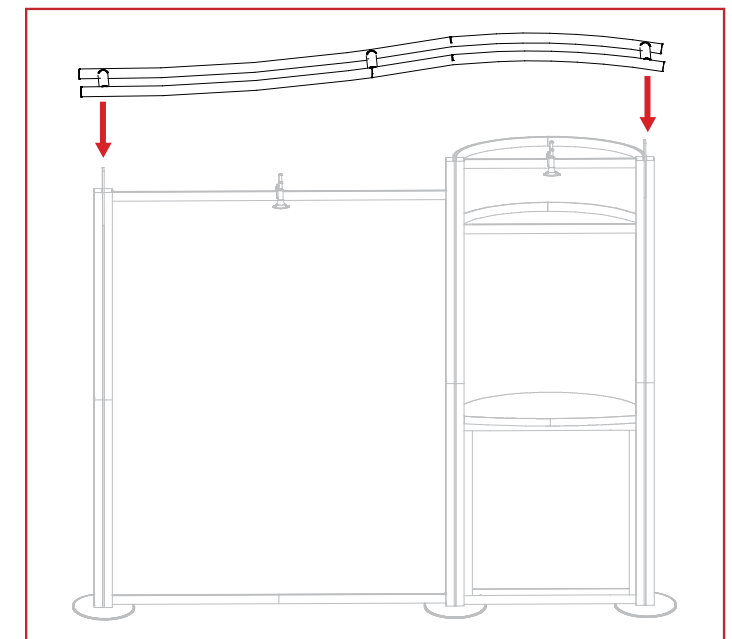
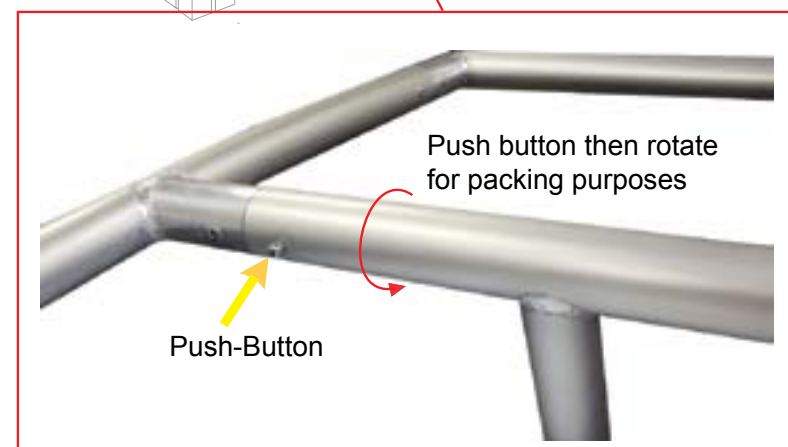
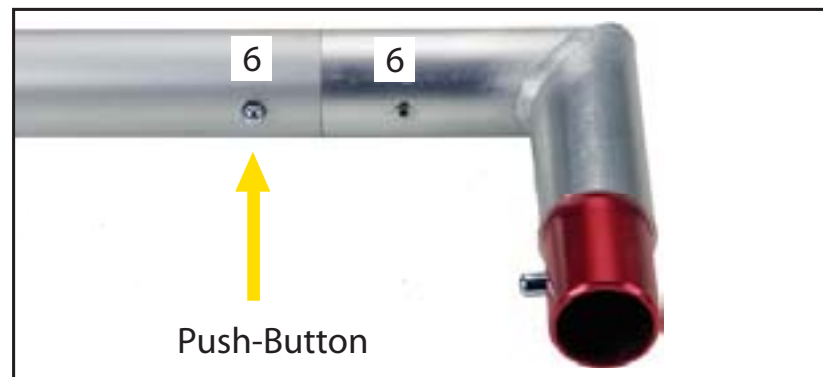
- 1) Use care when cleaning aluminum extrusion or acrylic inserts. Use only non-abrasive cleaners.
- 2) Retain all packing material. It will make re-packing much easier and will reduce the likelihood of shipping damage.



- Steps:**
- 1) Connect canopy pieces together as shown
 - 2) Apply pillowcase graphic and attach to canopy mounts on frame.



Connections are made by holding the button down and sliding the red tube into opposing tube until the connection is made. To disassemble push button and pull or twist extrusions apart.

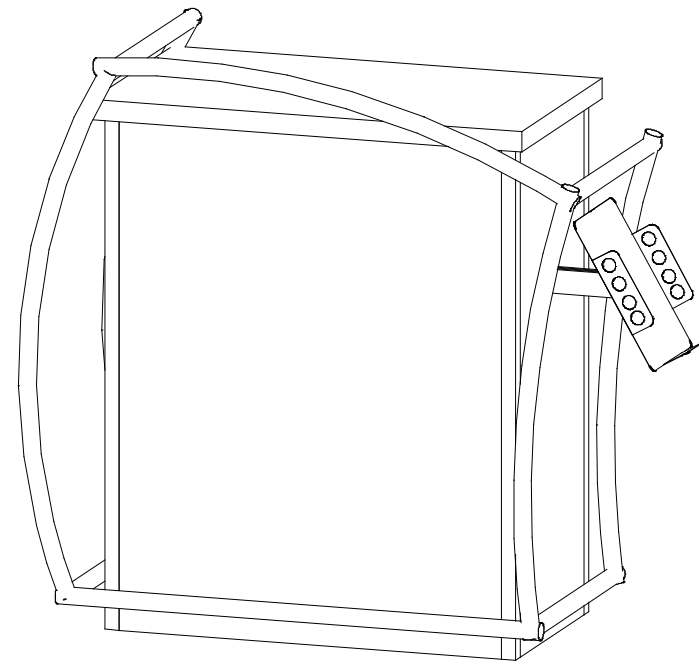


WHEN DISASSEMBLING ALUMINUM EXTRUSION, TIGHTEN ALL SETSCREWS AND LOCKS TO PREVENT LOSS DURING SHIPPING

Part Number	Description
1	28" w x 38" h Door Panel
2	38" h 90° Connector
3	14.125" w x 38" h Flat Panel
4	38" h 90° Connector
5	28" w x 38" h Flat Panel
6	38" h 90° Connector
7	14.125" w x 38" h Flat Panel
8	38" h 90° Connector

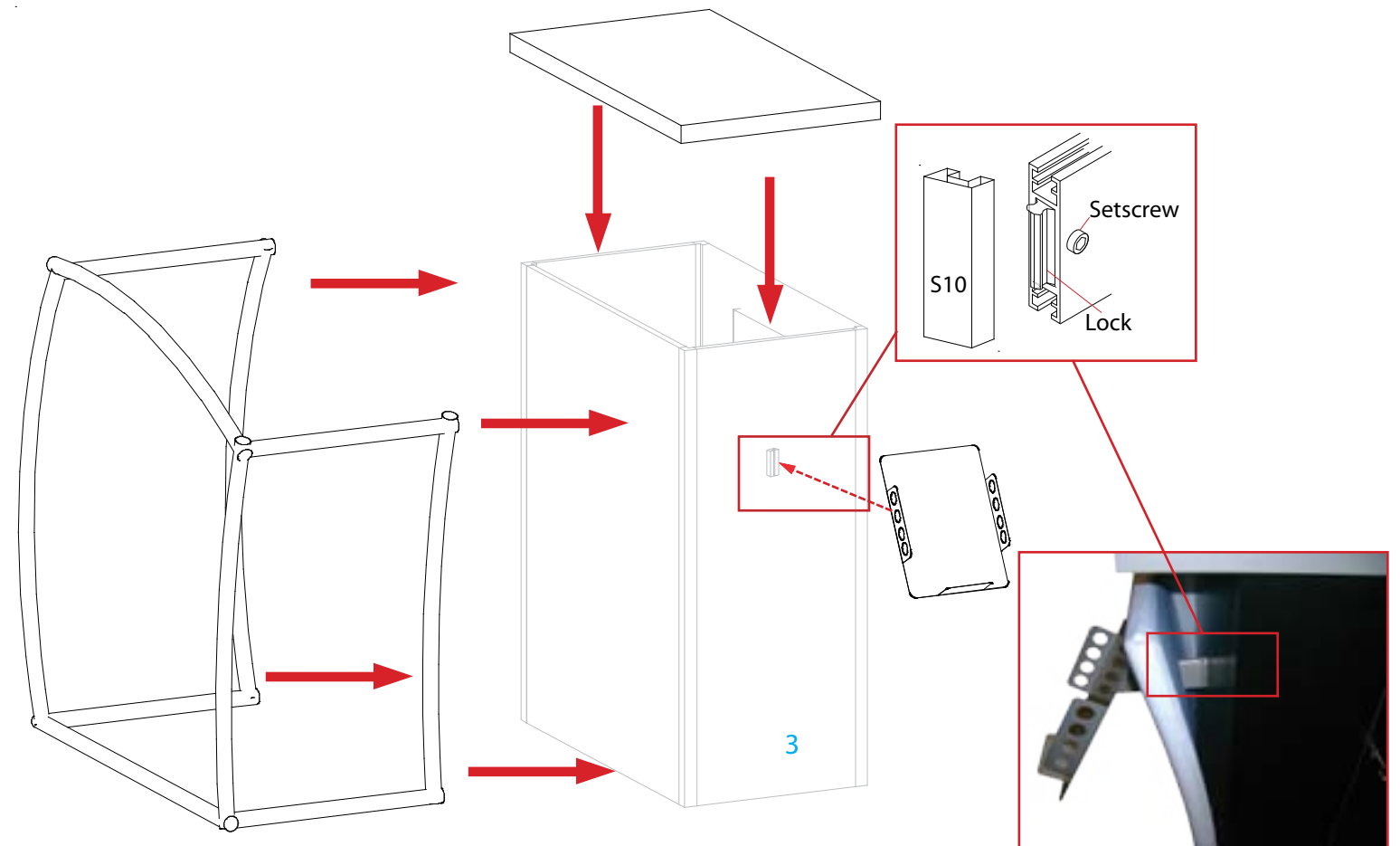
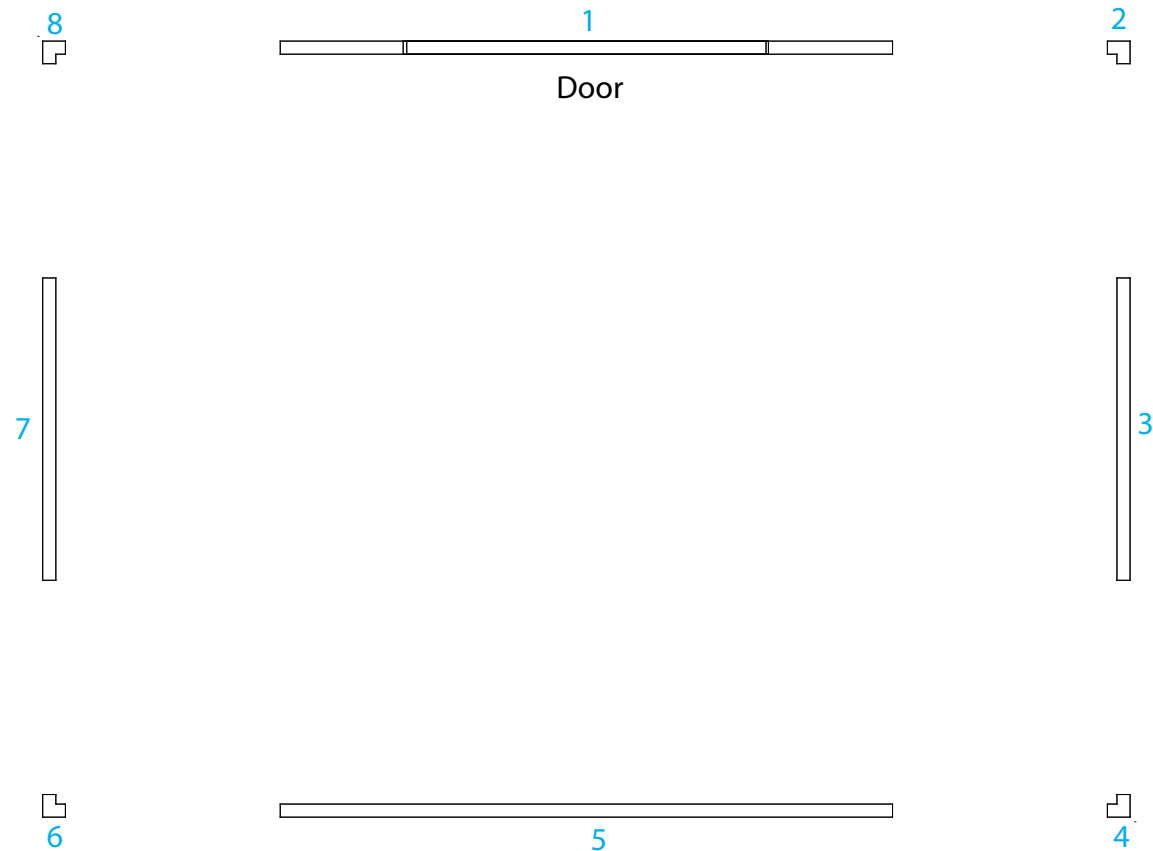
Steps

- 1) Assemble pedestal base by connecting panels and connectors together in numerical order.
- 2) Assemble Aero wrap around frame.
- 3) Set counter atop assembled pedestal base.
- 4) Attach Aero frame to pedestal by placing atop hooks on bottom of connectors.
- 5) Attach literature holder to pedestal thru slot in graphic on Aero frame.



866.652.2100

Connect all pieces together in alphabetical order. After putting graphic on set atop hooks located on each bottom corner.



WHEN DISASSEMBLING ALUMINUM EXTRUSION, TIGHTEN ALL SETSCREWS AND LOCKS TO PREVENT LOSS DURING SHIPPING